

A MEGA INDUSTRIAL EXHIBITION



FULFILLING EXPECTATION WITHOUT EXCUSE

13th
PUNE

28|29|30

NOVEMBER 2024

Autocluster Exhibition Centre,
Chinchwad, Pune.



WELDING | CUTTING |
SAFETY | MACHINE TOOL
AUTOMATION | POWER TOOL | HAND TOOL
MATERIAL HANDLING | CONSTRUCTION
ELECTRICAL | ELECTRONICS | SOLAR | PLASTIC
PRINTING | PACKAGING | BUSINESS OPPORTUNITY
I.T. | FINANCE | HARDWARE PRODUCTS
WEIGHING | AGRICULTURE | AUTOMOBILE & PARTS
PRECISION | CASTING | AIR CONDITION
HUMIDIFICATION | VENTILATION & MANY MORE...

500 + Stalls | Exhibitors & Visitors from Across India Subjective Domes • 50000 + Expected Visitors

PUNE 28, 29, 30 November 2024

Venue - Autocluster Exhibition Centre, Chinchwad, Pune.

Our Promotional Activities and Branding

News paper ad., Hoarding, Rickshaw Banner, Posters, Radio, Tv advt., Bus Panel, Whatsapp Marketing, Invitation cards, Facebook Promotion and Many More...

Pre-Exhibition Benefits

1. Whatsapp marketing in filtered data from our database of 5 million so that, you will get interested visitors as well as genuine buyers.
2. 1 lac invitation card to be distributed in all over India. (50 cards) given to individual participant If you are our Gold or Silver sponsor then your logo will appear in our every promotional things Like our brochure, social media activities, news paper advertisements, TV advertisements, participant directory, website, hoardings, main entry gate and many more.
3. Your LOGO will be printed in our next brochure.

Subjective Exhibition Benefits

1. Loading and unloading facility will be provided complimentary by us (Hydra & Forklift Service).
2. You will receive a 20 Ltr. of Water Jug On your stall every morning.
3. Fascia name, 3 spot lights, 1 – 5 amp. Plug, 1- table, 2-chair, 1-dustbin, carpet flooring.
4. Path-way is 20 ft. wider (Any expo didn't Gave this space.
5. Timing is 10 to 6 pm. Official time for quality visitors. (Last day of Exhibition Timing is 10 to 4pm).
6. Conference space for next level business meetings.
7. Security will be provided with CCTV camera recording for 24 hours a day.
8. On Site H.R. Service Agency available for temporary Staff at Your Stall.
9. Stall Interior Agencies available for Your Stall Decoration.

Post Exhibition Benefits

1. You will receive a list of visitors in soft copy by email who visited your dome in exhibition.
2. Participant directory will help your future customer to find you as we distribute it in every visit of our marketing persons in different cities.
3. Your LOGO will be printed in our next brochure.

Gold Sponsor

Total Sponsors in this Category : 3 | Amount : 15 Lakhs + G.S.T

Complimentary Space Of 54 Square Meters In the Mega Exhibition In A Prominent Location. Recognition As A Gold Sponsor With Corporate Logo With Hyperlink Provided To The Sponsor's Website From Engiexpo. (Website - www.engiexpo.com)
Recognition As A Gold Sponsor On Brochure Prepared For The Engiexpo Including Backdrop For Engiexpo Exhibitor's Souvenir, In Over 1 Lakhs Invitations Cards To Be Printed For The Show, etc. 1 Full Page Colour Advertisement In The Engiexpo Exhibitor's Souvenir (Material To Be Supplied By The Sponsor).

Silver Sponsor

Total Sponsors in this Category : 5 | Amount : 10 Lakhs + G.S.T

Complimentary Space Of 36 Square Meters In the Mega Exhibition In A Prominent Location. Recognition As A Silver Sponsor With Corporate Logo.
Recognition As A Silver Sponsor On Brochure Prepared For The Engiexpo Including Backdrop For Engiexpo Exhibitor's Souvenir, In Over 1 Lakhs Invitations Cards To Be Printed For The Show, etc. 1 Half Page Colour Advertisement In The Engiexpo Exhibitor's Souvenir (Material To Be Supplied By The Sponsor).

Partner Tag

Total Sponsors in this Category : 15 | Amount : 5 Lakhs + G.S.T

Complimentary Space Of 27 Square Meters In the Mega Exhibition In A Prominent Location. Recognition As A Subjective Partner With Corporate Logo.
Recognition As A Subjective Partner On Brochure Prepared For The Engiexpo Including Backdrop For Engiexpo etc. 1 Half Page Colour Advertisement In The Engiexpo Exhibitor's Souvenir (Material To Be Supplied By The Sponsor).



Scan here to pay

All Bharat QR / BHIM UPI Apps accepted.

2 WAY ADVERTISING
TEL NO. 8112288

HDFC BANK

mastercard, BHIM RuPay, VISA

Cost

	Standard Booth (per Sq Mtr)	Bare Space (per Sq Mtr)	Additional Requirement Cost:				
Indian	14,000/-	13,000/-	Additional Requirement - Compressor			Power	
Foreign	\$350	\$325	3 CFM with 100 psi (per connection)	6 CFM with 100 psi (per connection)	10 CFM with 100 psi (per connection)	3 Phase Power (per HP)	
Security Deposit	GST As Applicable on above rates.		Indian	12,000/-	16,000/-	20,000/-	2,500/-
25,000 (Refundable)			Foreign	\$300	\$400	\$500	\$80

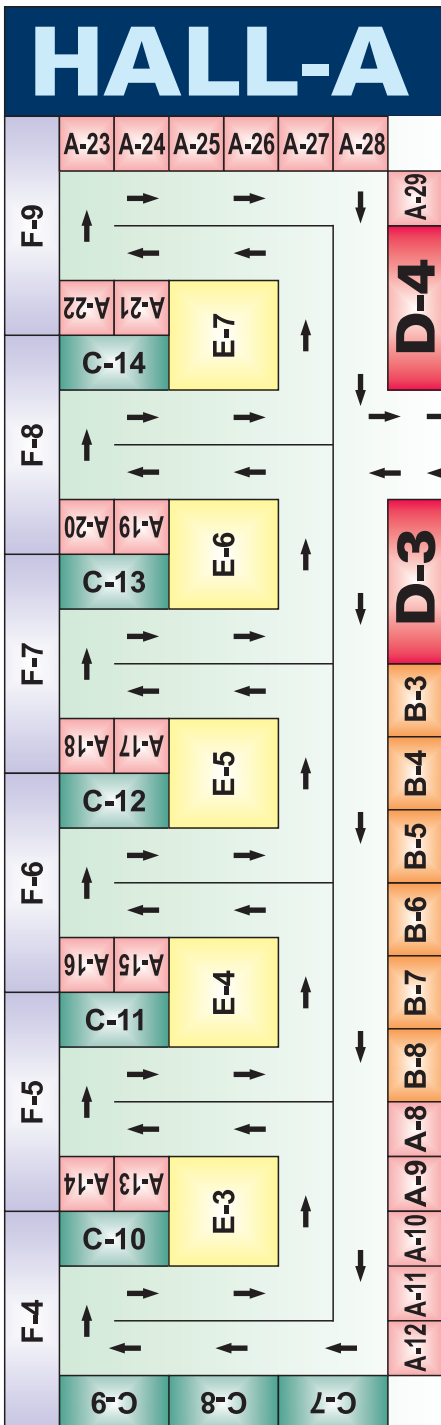
Premium Space Cost : 2 Sides open 15% Extra | 3 Sides Open 25% Extra | 4 Sides Open 30% Extra

- A** 3M X 3M (9SQ.MTR)
- B** 4M X 3M (12SQ.MTR)
- C** 6M X 3M (18SQ.MTR)
- D** 9M X 3M (27SQ.MTR)
- E** 6M X 6M (36SQ.MTR)
- F** 12 X 3M (36SQ. MTR)

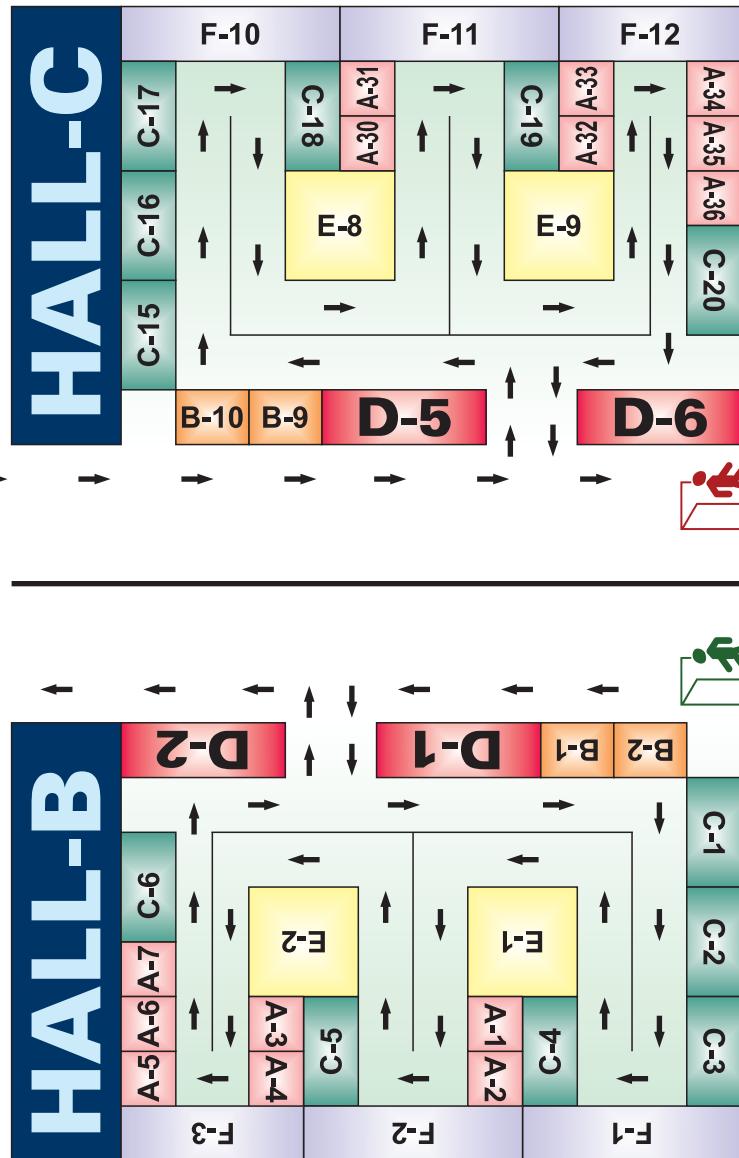
PUNE 28, 29, 30 November 2024

Venue - Autocluster Exhibition Centre, Chinchwad, Pune.

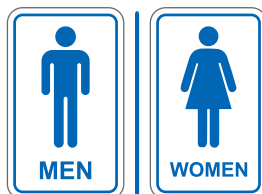
MACHINE TOOL AUTOMATION



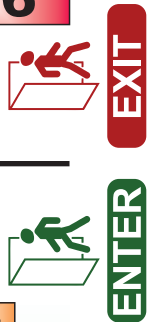
MATERIAL HANDLING FASTENERS / RUBBER PARTS



WELDING / CUTTING / ABRASIVE SAFETY / POWER TOOL / HAND TOOL



TOILET



A MEGA INDUSTRIAL EXHIBITION



FULFILLING EXPECTATION WITHOUT EXCUSE

SPONSORED BY :



SOFTWARE PARTNER



AIR PARTNER



VIDEO FILMS PARTNER



EVENT MANAGEMENT PARTNER



COOLING PARTNER



REGISTRATION PARTNER



CCTV & FACILITY
MANAGEMENT PARTNER



INFRASTRUCTURE PARTNER



CAFETERIA PARTNER



DIGITAL CARD PARTNER



HAND TOOLS PARTNER



MEDIA PARTNER



99 MACHINERY FOR YOU



SUPPORTED BY :



JOINTLY ORGANISED BY :



Head Office : 224, Saffron Business Park, Jasodanagar Cross Road, Jasodanagar, Ahmedabad - 382445, (Guj.) INDIA.
Vadodara Add : Hall 1, 1st Floor, Venezia Business Centre, Opp. Zabak Bhavan, Ajwa Road, Vadodara - 390019.
Pune Add : Office No 7, 1st Floor, Block 01, Lloyd Chambers, Opp. Ambedkar Bhawan, Nr. Hotel Coconut Nr. Pune Station, Mangalwar Peth, Pune, Maharashtra - 411011. | Mobile : +91-8308265960
Mobile : +91-9687744488 | +91-9879615979 | +91-9879111548 | +91 9773106298
Email : engiexpo@gmail.com | Web : www.engiexpo.com
BRANCHES : AHMEDABAD | VADODARA | RAJKOT | SURAT | PUNE